

Optional equipment

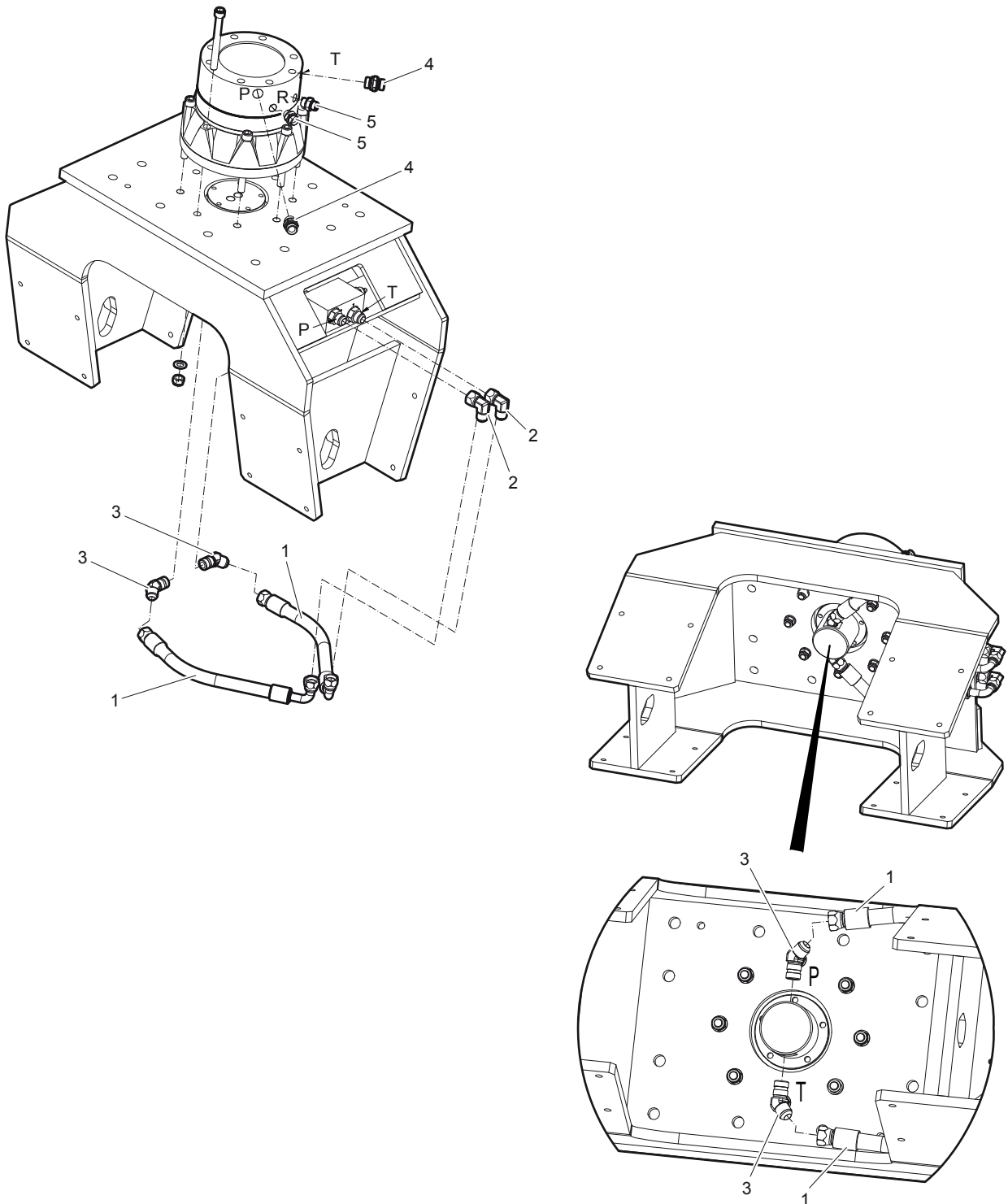
Connection kit for rotation device

Contents

Optional equipment.....	4
Connecting kit for rotation device 3376 6980 37.....	4

Optional equipment

Connecting kit for rotation device 3376 6980 37



No.	Description	Remark	Quantity	Part number
1	Hydraulic hose		2	3376 1015 11
2	Fitting		2	3376 1007 96
3	Fitting		2	3376 1007 99
4	Fitting		2	3376 1007 97
5	Fitting		2	3376 1007 96

This document contains no safety instructions. For information on operating, servicing or repairing the hydraulic attachment, the relevant *Safety and operating instructions* must be consulted at all costs. Please observe the safety instructions listed in the relevant *Safety and operating instructions*.



Any unauthorized use or copying of the contents or any part thereof is prohibited.
This applies in particular to trademarks, model denominations, part numbers, and drawings.

© 2011 Atlas Copco Construction Tools GmbH | No. 3390 7570 01 | 2011-09-01

www.atlascopco.com